



Short Description

- Solid Stainless Steel Foot
- Easy installation
- Can be used with load cell models: H8-10t and HM8-10t

Available Models

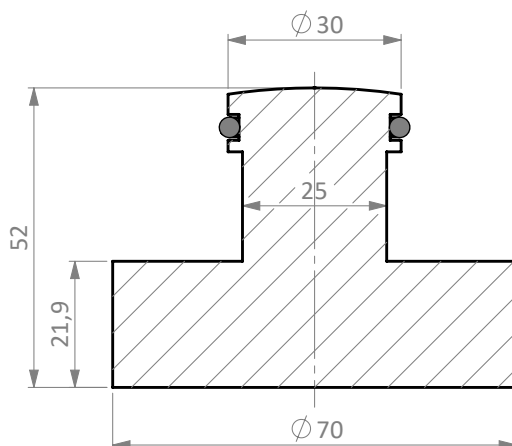
Model	Capacity	Full Article Description	Part Number
BY-8-110	10t	BY-8-110-10T HM8/H8	20807310

Technical Specifications BY-8-110

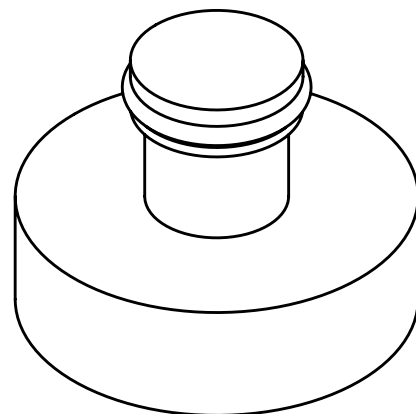
Capacity with load cell	10t
Maximum vertical force (down)	95 kN

Dimensions in mm

Side View



Isometric View



Specifications and dimensions are subject to change without notice and do not constitute any liability whatsoever.