



Short Description



- Elastomer for load cell
- Easy installation
- Suitable for shock load
- Made from galvanised construction steel & natural rubber
- Can be used with load cell models: H8C & B8D (B8D up to 2t only)

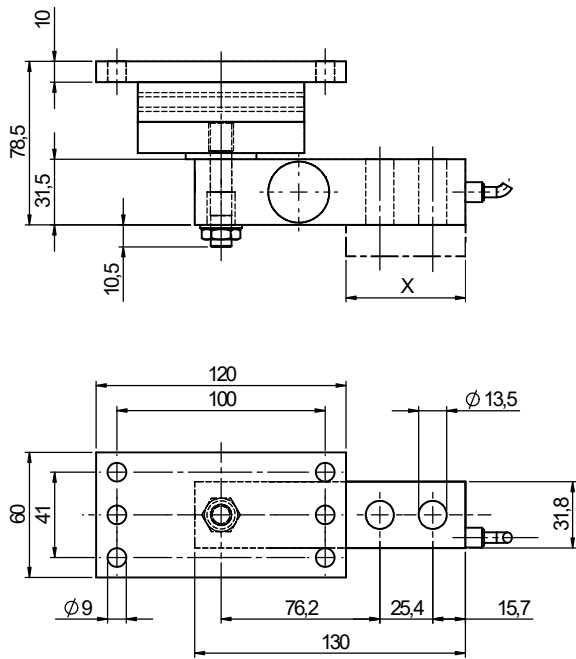
Available Models

Model	Capacity	Full Article Description	Part Number
Elastomer H8C	0.5t – 2t	Elastomer H8C/B8D 0.1 - 2t	20802390
	5t	Elastomer H8C 5t	20802380
	10t	Elastomer H8C 10t	20802400

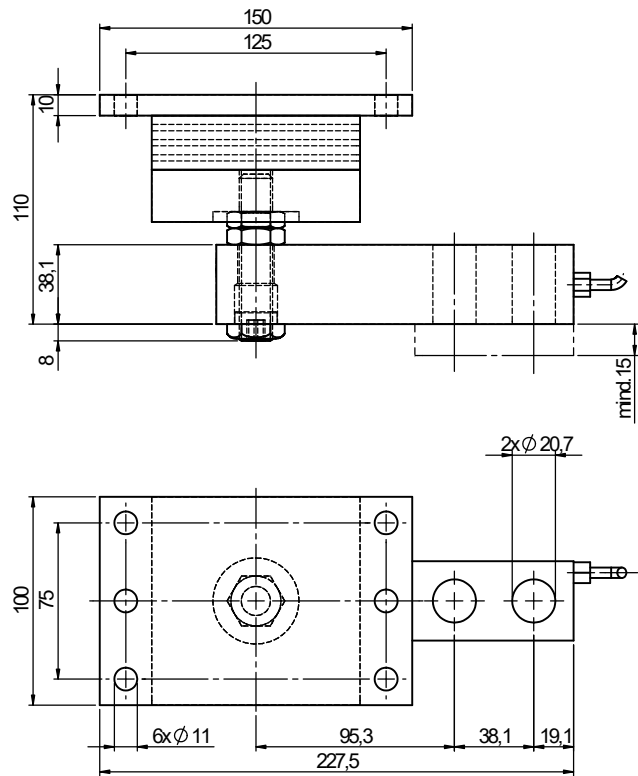
Specifications and dimensions are subject to change without notice and do not constitute any liability whatsoever.

Dimensions in mm

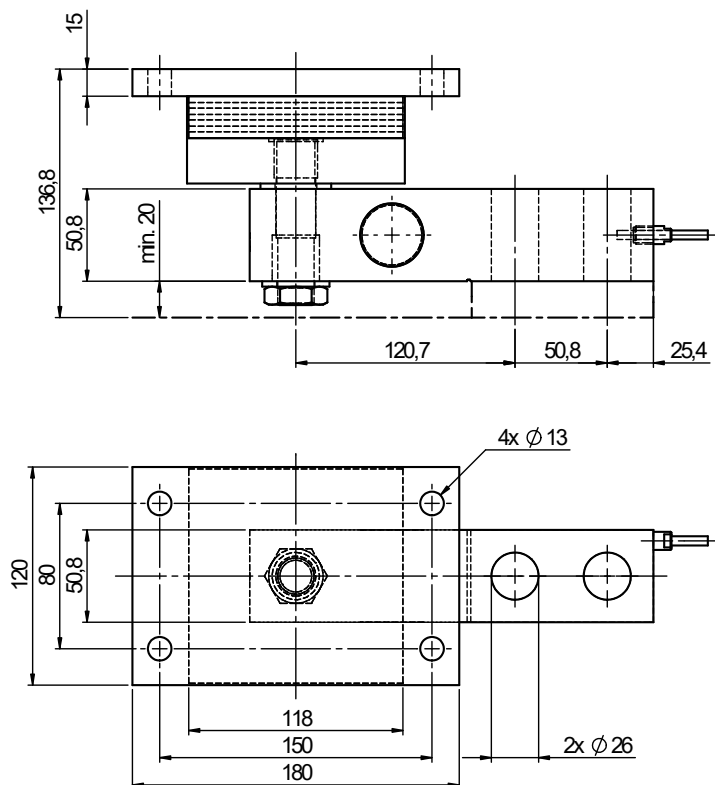
0.5 – 2t



5t



10t



Isometric View

