



Short Description



- Alloy steel eye bolt with fork joint assembly
- Easy installation
- Can be used with load cell models: H3, H3G, B3G and BM3

Available Models

Model	Capacity	Full Article Description	Part Number
HL-3-005	25kg – 50kg	HL-3-005-25/50kg M8	20303050
HL-3-005	100kg – 150kg	HL-3-005-100/150kg M10	20303100
HL-3-005	200kg – 300kg	HL-3-005-200/300kg M12	20303550
HL-3-005	500kg – 750kg	HL-3-005-500/750kg M12	20303560
HL-3-005	1 – 1.5t	HL-3-005-1.5t M12	20303450
HL-3-005	2t – 3t	HL-3-005-2/3t	20303570
HL-3-005	5t	HL-3-005-5t M20x1.5	20303600

Technical specifications HL-3-005

Capacity with Load Cell	25 – 50kg	100 – 150kg	200 – 300kg	500 – 750kg	1 – 1.5t	2t - 3t	5t
Max. static lifting weight	0.16t	0.25t	0.4t	0.8t	1.6t	3.0t	6.0t

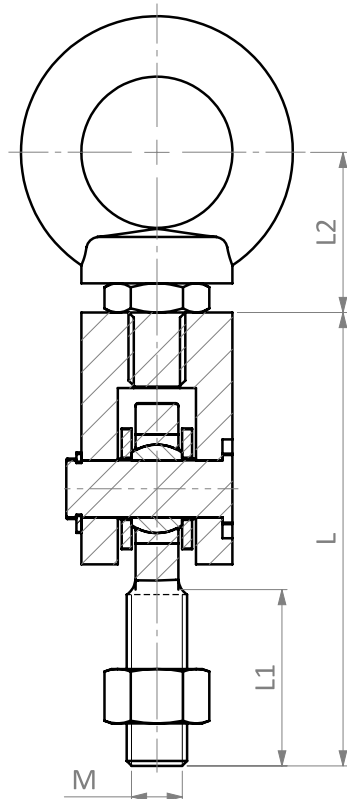
Note: Expressed maximum forces refer to this assembly, without load cell installed.

Specifications and dimensions are subject to change without notice and do not constitute any liability whatsoever.

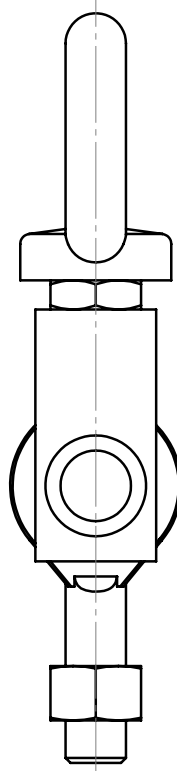
Type HL-3-005 Eye Bolt with Fork Joint

Dimensions in mm

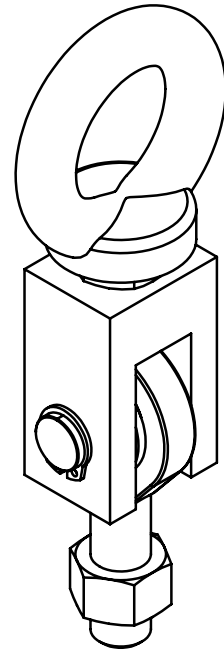
Front View



Side View



Isometric View



Capacity \ Dimension	L	L1	L2	M x Pitch
25 – 50kg	77	21	22	M8 x 1.25
100 – 150kg	83	26	27	M10 x 1.5
200kg – 300kg	89	35	33	M12 x 1.75
500kg – 750kg	89	35	38	M12 x 1.75
1 – 1.5t	118	28	42	M12 x 1.75
2t – 3t	133	43	63	M20 x 1.5
5t	149	43	78	M20 x 1.5

Specifications and dimensions are subject to change without notice and do not constitute any liability whatsoever.