



Short Description



- Compression load cell mounting set
- Easy loadcell access
- Nickel plated alloy steel
- Self-alignment ability
- Can be used with load cell models: BM14A

Available Models

Model	Capacity	Full Article Description	Part Number
HM-14-420	100t	HM-14-420-100t (support BM14A 100t)	21402040
	200t	HM-14-420-200t BM14A 200t	21402050

Detailed Specifications HM-14-420

Capacity with load	100t	200t
Maximum vertical force (up)	100 kN	225 kN
Maximum horizontal force	12 kN	12 kN
Maximum horizontal movement	+2 / -2 mm	+2 / -2 mm

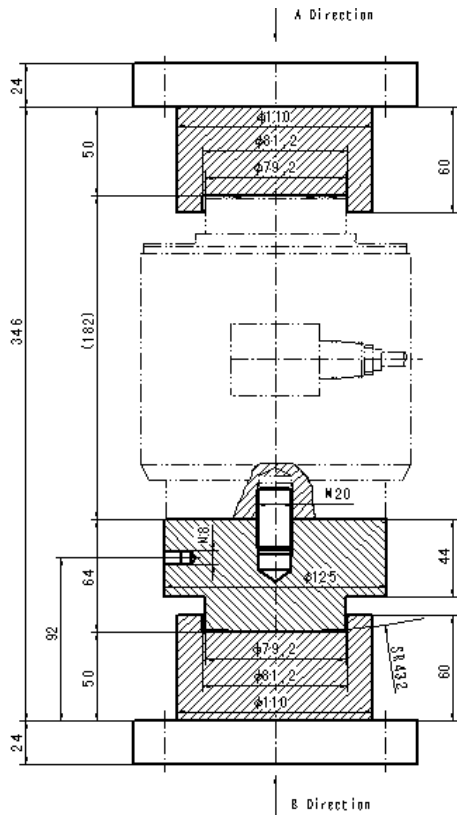
Note: Expressed maximum forces refer to this mount, without load cell installed.

Specifications and dimensions are subject to change without notice and do not constitute any liability whatsoever.

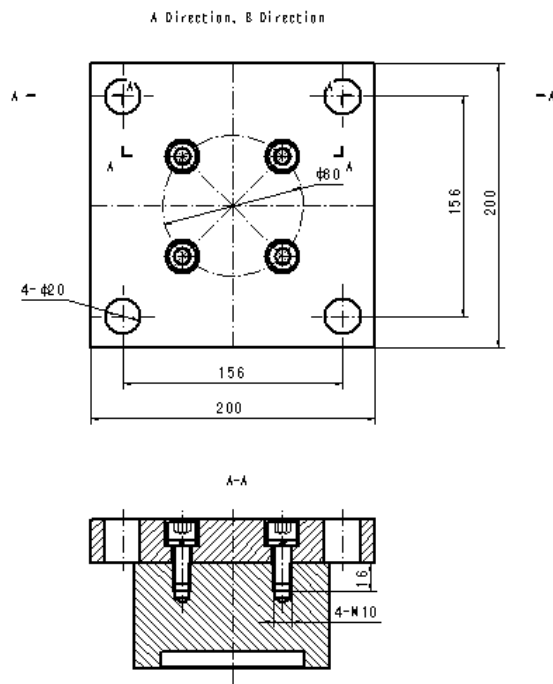
Dimensions in mm

Side View

HM-14-420-100t



Top View



HM-14-420-200t

