

Short Description

- Easy installation
- Anti-reversal ability
- Nickel plated alloy steel
- Metric dimensions
- Can be used with load cell models: H9C, HM9C and B9C

Available Models

Model	Capacity	Full Article Description	Part Number
HM-9-409	5Klb – 20Klb	HM-9-409-5/20K	20900110

Technical Specifications HM-9-409

Capacity	5 – 20Klbs
Safe Overload	150% of E_{max}
Overload	300% of E_{max}
Off-centre Loading	40% of E_{max}
Anti-side Loading	20% of E_{max}
Vertical lifting	3.3 Klbs
Radial movement	$\pm 5\text{mm}$

Bolt Specification and Recommended Torque

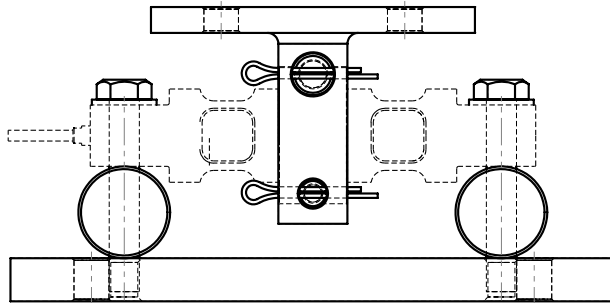
Model	Capacity	Bolts	Recommended Torque in Nm
HM-9-409	5Klb – 20Klb	M14 x 1.5 L=90	160 Nm

Specifications and dimensions are subject to change without notice and do not constitute any liability whatsoever.

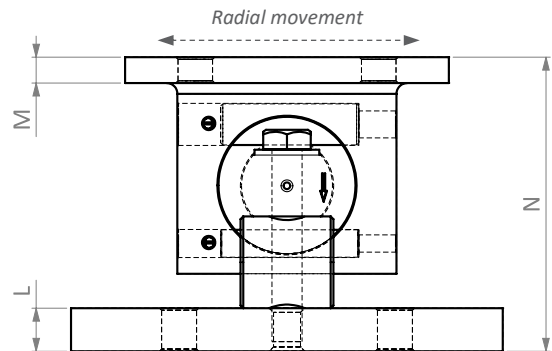
Type HM-9-409 Mount

Dimensions in mm

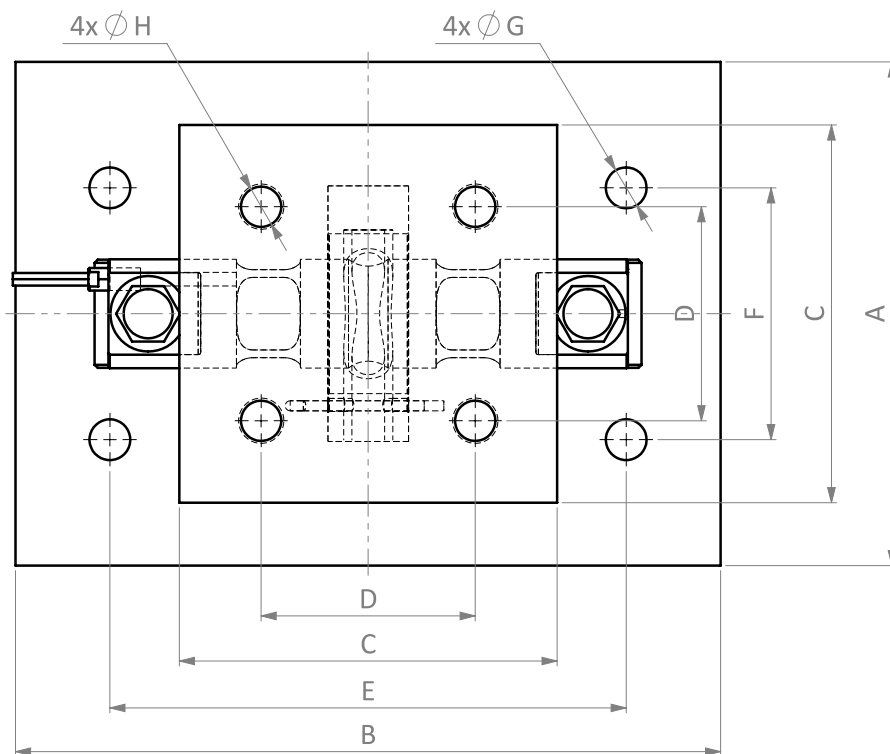
Front View



Side View



Top View



Dimension	A	B	C	D	E	F	ØG	ØH	L	M	N
Capacity											
5 – 20K	200	280	150	85	205	100	16	16	20	12	136

Specifications and dimensions are subject to change without notice and do not constitute any liability whatsoever.