



Short Description



- **Product Profile**

This integrated processor can be connected to up to 64 weighing sensors, which can realize the accurate identification of the number of items per sensor through parameter configuration.

The **ZHY-K Processor** is recommended to be used in new retail areas for scenarios such as vending machines, smart shelves and automation storage management.

- **Product Function**

- 1) The device info(such as ID,IP) can be configured by communication interface.
- 2) It is able to receive material configuration information, including material number and specification, weight and tolerance.
- 3) Reporting weight, material quantity, previous weight and material quantity regularly.
- 4) Reporting sensor online status in real time.
- 5) It can display the equipment operation status.

- **Product Characteristics**

- 1) Connection number of weight sensing units: up to 64
- 2) It can be connected with indicators, electronic display screens and other peripheral devices;
- 3) Includes various communication interfaces, such as RS485, RS232 and TCP/IP
- 4) Compact size for easy installation

Technical Specifications ZHY-K

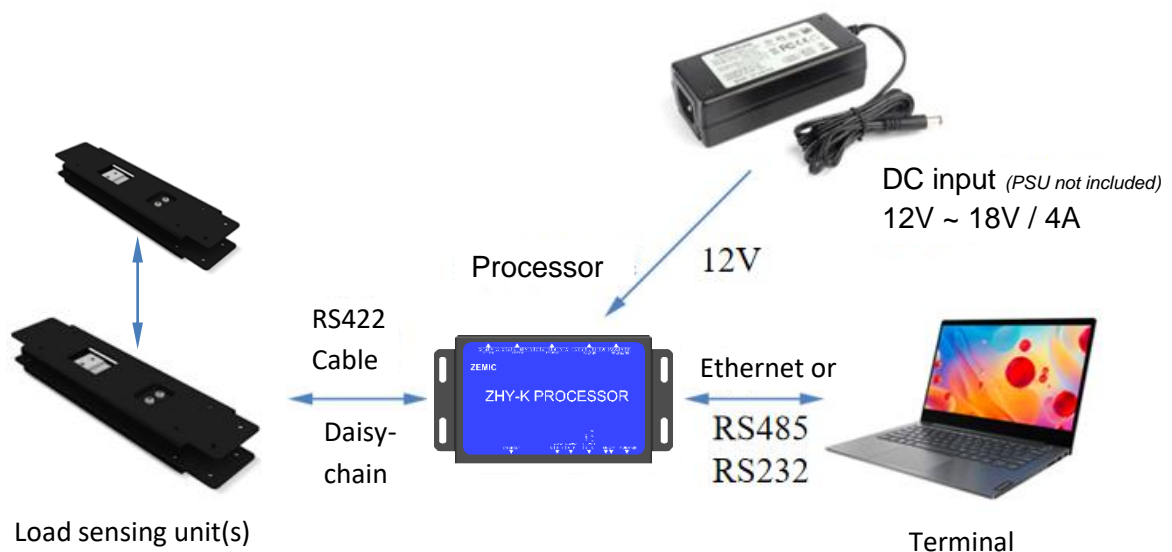
Operating Temperature	°C	-20 ~ +60	
Power Supply Voltage*	VDC	12* ~ 18 ± 0.5	
Power Consumption	mA	Processor: 150, each connected loadcell: 60	
Maximum Extension Cable Length	m	@15V: ~10	@18V: ~40
Communication Interface			
Ethernet	1 port	For network connection and FW upgrades	
RS422	2 ports	Connection ports for load cells	
RS485	2 ports	For settings and display	
RS232	1 port	For settings	
I/O Output Control port	2 ways	12V-18V signal, same as power supply input	
I/O Input Detection port	4 ways	12V signal detection	

* Note, 12V can only support up to 16 load cells in one daisy chain. For 32 load cells, >14V is required

Load Cell RS422 Wiring

No.	Port Marking	Wire Color	Function
1	V	Red	Sensor Power
2	A	White	RS422_R+
3	B	Green	RS422_R-
4	Y	Blue	RS422_T+
5	Z	Yellow	RS422_T-
6	G	Black	Sensor Ground

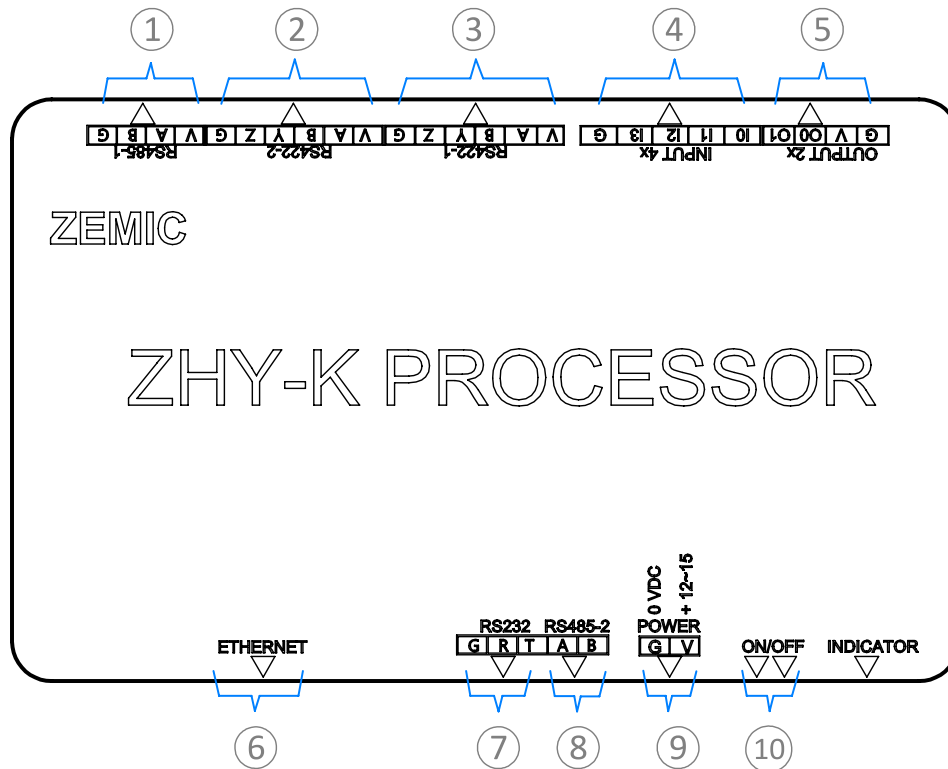
Object Identifying System Connection



Connection of system

Specifications and dimensions are subject to change without notice and do not constitute any liability whatsoever.

Processor Connection Ports

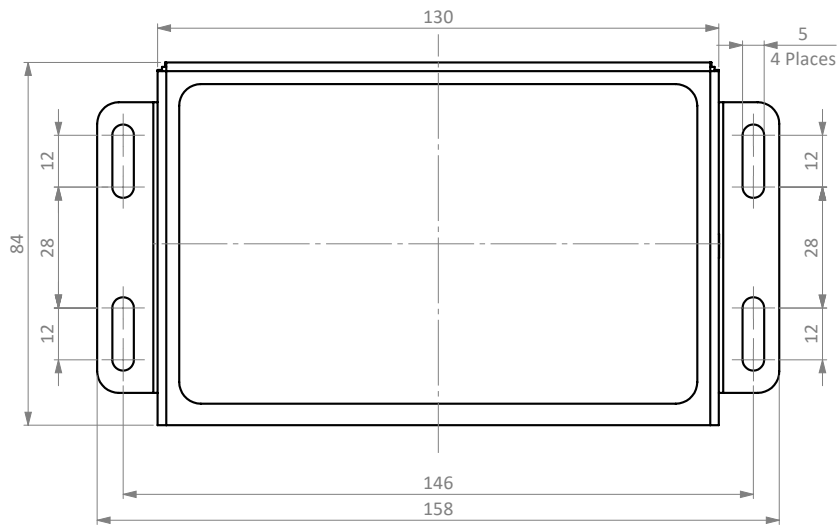


Physical Interface Port Definition

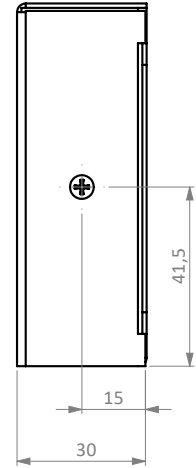
Interface port No.	Port Type	Note
①	RS485-1	Reserve
②	RS422-2	Load sensing unit port, addressing No. 33 ~ 64
③	RS422-1	Load sensing unit port, addressing No. 1 ~ 32
④	Input Switch Ports x4	Reserve
⑤	Alarm light Ports x2	
⑥	Ethernet Port	TCP/IP Communication
⑦	RS232	Serial Communication
⑧	RS485-2	Reserve
⑨	Power Supply	12-18VDC, 4000mA (required for full system with 64 Ic's)
⑩	Switch	On/Off Switch
-	Indicator Lights	Green: operating; Yellow: error; Red: power

Dimensions in mm

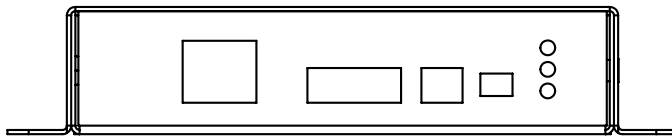
Top View



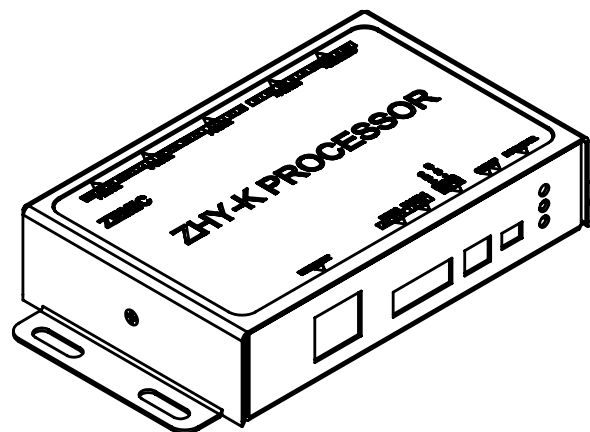
Side View



Front View



Isometric View



Specifications and dimensions are subject to change without notice and do not constitute any liability whatsoever.