



Short Description

- Pre-calibrated indicator
- Suitable for elevator weighing systems
- Indicates when elevator is loaded for 90%
- Determines if the elevator is overloaded
- When loaded less than 15 kg, the elevator doesn't move
- Four-digit semi alphanumeric display
- Easy installation, plug and play

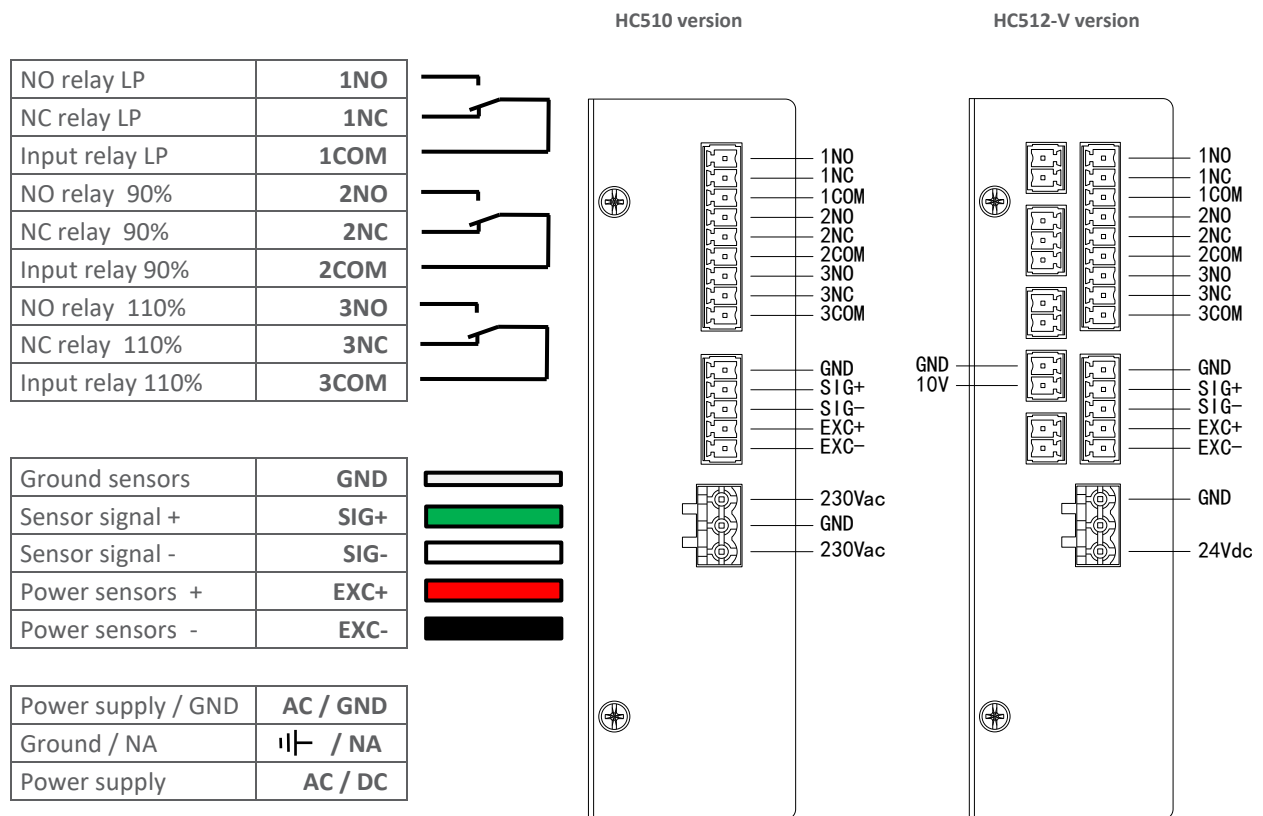
Available Models

Model	Power Supply	Included in Compatible Elevator Kits
HC510	220 V _{AC}	Cabin, Under Springs, Into Springs
HC512(-V)	24 V _{DC}	Cabin, Under Springs, Into Springs

Technical Features Top-Sensors HC51x Indicator

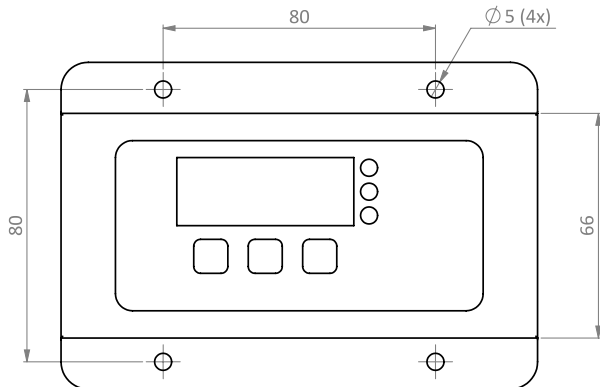
Power Supply	HC510: 230VAC ± 10% / 50~60 Hz		HC512: 24VDC ± 10%	
Power Consumption	6 W (max.)			
Maximum Current Switched by Relay Outputs	10 A / 28VDC			
Operating Mode	continuous			
Number of Programmable Relay Outputs	3			
Setting Threshold Range Loading	Set in kg			
Passenger Availability	0-50 kg			
90%	0-4000 kg	0-8000 kg	0-12000 kg	
110%	0-4000 kg	0-8000 kg	0-12000 kg	
Maximum Load	Sum of all connected individual loadcells			
Maximum Permissible Short-time Overload	150%			
Lower Limit of Transformations	5 kg			
Maximum Duration of the Conversion Cycle	2 seconds			
Display	4-digit LED, 14.2mm 7-segment			
Indicators	Overload, Caution, Pre-caution			
Keypad	3-key flat tactile switches			
Operating Temperature Range	-10 ~ +40°C			
Storage Temperature Range	-20 ~ +50°C			
Humidity	0 ~ 90% @ 20°C (rel.)			
Degree of Protection for IEC 60529 (DIN 40050)	IP54			

Indicator Connection Diagram

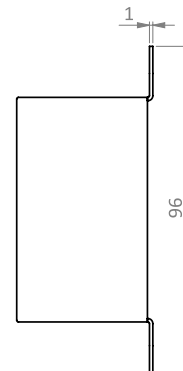


Dimensions in mm

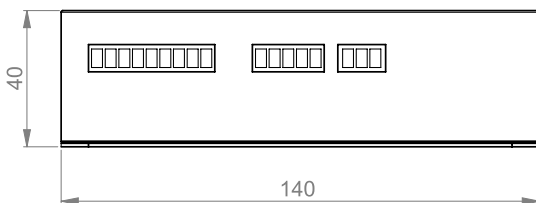
Top View



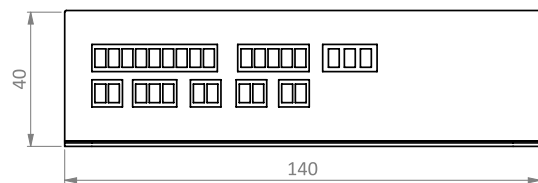
Side View



Front View HC510










Front View HC512-V



Display Keys and Settings



Indicator	Status	Key	Functions
 110%	LED Overload		Reset button / Scroll parameter / Increase value
 90%	LED 90% Load		Select a digit / Scroll menu
 	LED Child only in elevator		Turn on and off the display / Enter